

**National Pollutant Discharge Elimination System/State Disposal System**

**MN0041076**

**Permittee:** City of Big Lake  
**Facility name:** Big Lake Wastewater Treatment Facility  
**Receiving water:** Mississippi River - Class 1C, 2Bd, 3C, 4A, 4B, 5, 6 water  
**City:** Big Lake      **County:** Sherburne  
**Issuance date:** TBD  
**Expiration date:** TBD

The state of Minnesota, on behalf of its citizens through the Minnesota Pollution Control Agency (MPCA), authorizes the Permittee to operate a disposal system at the facility named above and to discharge from this facility to the receiving water named above, in accordance with the requirements of this permit.

The goal of this permit is to reduce pollutant levels in point source discharges and protect water quality in accordance with the U.S. Clean Water Act, Minnesota statutes and rules, and federal laws and regulations.

This permit is effective on the issuance date identified above. This permit expires at midnight on the expiration date identified above.

**Signature:**

*This document has been electronically signed.*

*for the Minnesota Pollution Control Agency*

Nicole Blasing  
Supervisor  
North Central Regional Unit  
Municipal Division

**Submit eDMRs**

Submit via MPCA e-Services at  
[https://rsp.pca.state.mn.us/TEMPO\\_RSP/Orchestrate.do?initiate=true](https://rsp.pca.state.mn.us/TEMPO_RSP/Orchestrate.do?initiate=true)

**Questions on this permit?**

For eDMR and other permit reporting issues, contact:  
Jennifer Satnik, 651-757-2692

**Submit other WQ reports to:**

Attention: WQ Submittals Center  
Minnesota Pollution Control Agency  
520 Lafayette Road North  
St. Paul, MN 55155-4194

**For specific permit requirements please refer to:**

Jeremy Sanoski, 218-316-3888

**Wastewater Permit Program general questions, contact:**

MPCA, 651-282-6143 or 1-800-657-3938.

## Table of Contents

	Page
1. Permitted facility description.....	3
2. Location map of permitted facility.....	5
3. Flow diagram.....	6
4. Summary of stations and station locations.....	7
5. Permit requirements.....	8
6. Submittal action summary .....	26
7. Limits and monitoring .....	28

DRAFT

## 1. Permitted facility description

The Big Lake Wastewater Treatment Facility (Facility) is located at 18999 County Road 14, Big Lake, Minnesota, 55309, Sherburne County. This is a Class A Facility.

Major components of the Facility include:

- Activated Sludge - oxidation ditch
- Carbon Adsorption
- Collection system (gravity and/or pressure)
- Disinfection (ultraviolet light)
- Influent Flow Meter
- Phosphorus Removal (biological process)
- Phosphorus Removal (chemical addition)
- Preliminary treatment - fine screen
- Preliminary treatment - grit removal
- Secondary Clarification
- Solids Disposal - Land Application
- Solids Handling - Storage Tank
- Solids Thickening - Centrifuge
- Solids Thickening - Gravity Thickening
- Solids Treatment - Aerobic Digestion
- Solids Treatment - Heat Drying

The application indicates that the existing treatment system consists of a lift station with parallel 8 and 12 inch force mains, two cylindrical fine screens with spray wash and compaction system, vortex grit removal system with grit separator and classifier, influent Parshall flume, a selector tank with two mixers and baffle wall, two oxidation ditches, chemical feed system for phosphorus removal, three final clarifiers, ultraviolet disinfection system, and an outfall pipe. The Facility also has 24 hour composite influent and effluent samplers and solids handling units including two gravity biosolids thickeners, an aerobic digester, a biosolids storage tank, two biosolids batch tanks to feed the centrifuges, two centrifuges, a biosolids bunker to feed the dryer system, a Komline Sanderson indirect heat drying system, a carbon adsorber odor control system, and a biosolids storage silo with dust collection and loadout system. Biosolids are land applied on approved sites. Chlorine is also available for addition to the return activated biosolids for process control.

The Facility has a continuous discharge (SD001) to the Mississippi River (Class 1C, 2Bd, 3B, 3C, 4A, 4B, 5, 6 Water). The Facility is designed to treat an average dry weather design flow of 709,000 gallons per day (gpd), an average wet weather (AWW) design flow of 840,000 gpd and a peak hourly wet weather flow of 2,204,000 gpd with a five-day carbonaceous biochemical oxygen demand of 240 milligrams per liter (mg/L) based on the AWW design flow.

There are no designed bypass/overflow points in the disposal system.

The Mississippi River was designated an Outstanding Resource Value Water (ORVW) on November 5, 1984. The design AWW flow of this Facility on the date of ORVW designation was 363,000 gpd.

Changes to the facility may result in an increase in pollutant loading to surface waters or other causes of degradation to surface waters. If a change to the facility will result in a net increase in pollutant loading or other causes of degradation that exceed the maximum loading authorized through conditions specified in the existing permit, the changes to the facility are subject to antidegradation requirements found in Minn. R. 7050.0250 to 7050.0335.

This Permit also complies with Minn. R. 7053.0275 regarding anti-backsliding.

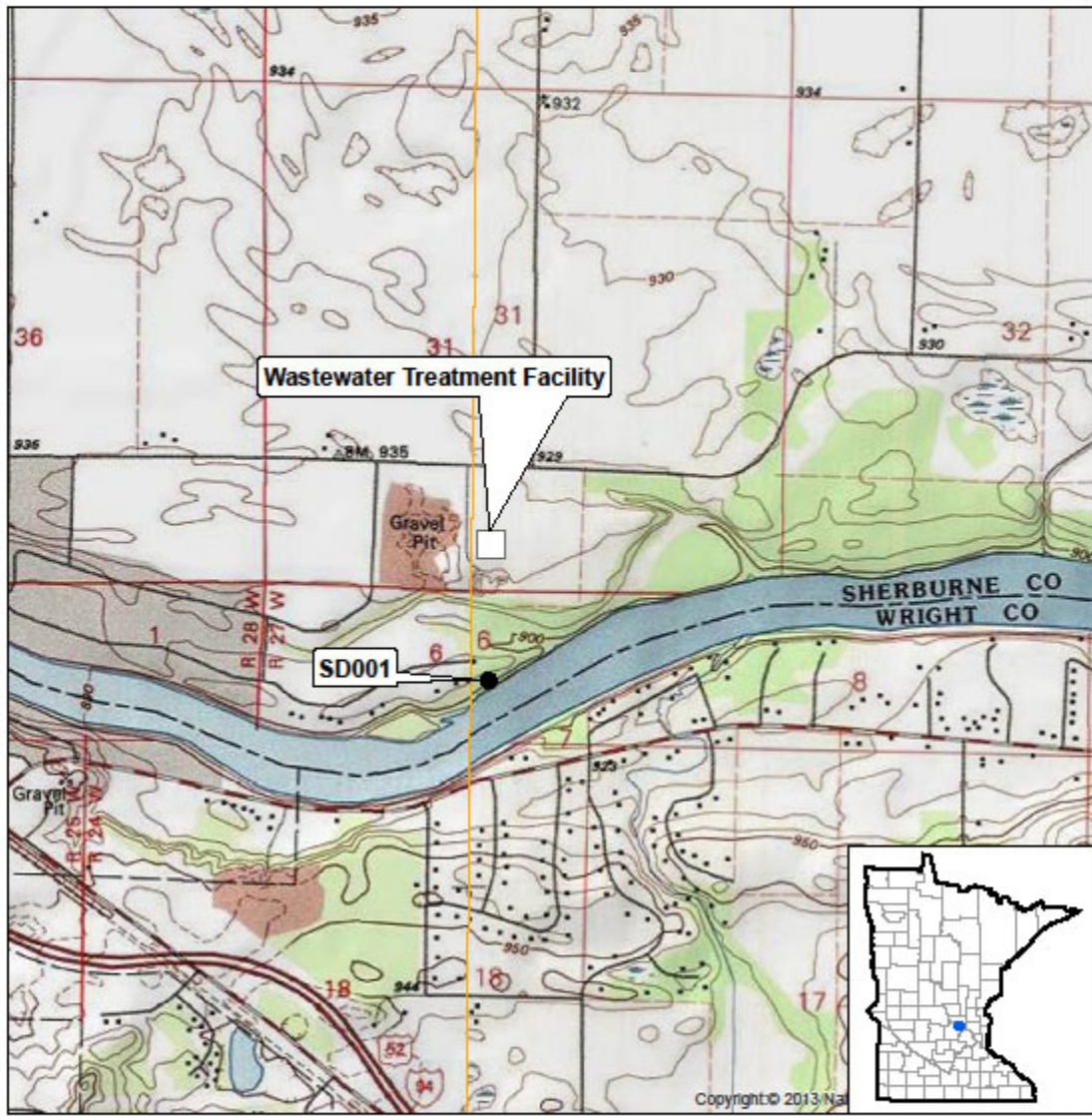
Any point source discharger of sewage, industrial, or other wastes for which a NPDES permit has been issued by the MPCA that contains effluent limits more stringent than those that would be established by Minn. R. 7053.0215 to 7053.0265 shall continue to meet the effluent limits established by the permit, unless the permittee establishes that less stringent effluent limits are allowable pursuant to federal law, under section 402(o) of the Clean Water Act, United States Code, title 33, section 1342.]

DRAFT

2. Location map of permitted facility

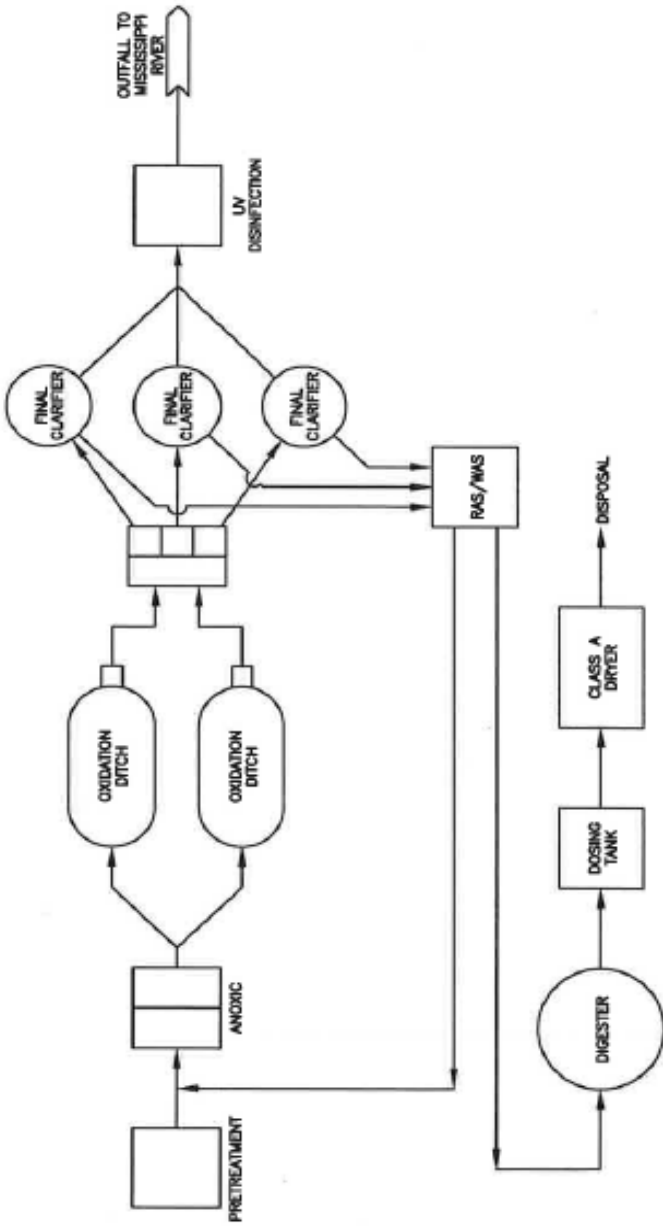
**Topographic Map of Permitted Facility**

MN0041076: Big Lake Wastewater Treatment Facility  
T33N, R27W, Section 31  
Big Lake, Sherburne County, Minnesota



Map produced by: MPCA Staff, 9/25/2017  
Source: USGS Quad, Big Lake  
Scale: 1:18,000

3. Flow diagram



**4. Summary of stations and station locations**

<b>Station</b>	<b>Type of station</b>	<b>Local name</b>	<b>PLS location</b>
SD 001	Effluent To Surface Water	Total Facility Discharge	T32N, R27W, S6, NW Quarter of the NE Quarter
WS 001	Influent Waste	Influent Waste Stream	T33N, R27W, S31, SW Quarter

DRAFT

5. Permit requirements

SD 001	Effluent To Surface Water	
		<b>Surface Discharge: Class A Minor Facility Effluent Requirements</b>
	5.1.1	The Permittee shall submit a monthly DMR : Due by 21 days after the end of each calendar month following permit issuance. [Minn. R. 7001.0150, Subp. 2(B)]
	5.1.2	Sampling Location. [Minn. R. 7001.0150, Subp. 2(B)]
	5.1.3	Samples for Station SD001 shall be taken at a point representative of the discharge to the receiving water. [Minn. R. 7001.0150, Subp. 2(B)]
5.1.4	The Permittee shall submit monitoring results in accordance with the limits and monitoring requirements for this station. If conditions are such that no sample can be acquired, the Permittee shall report "No Flow" or "No Discharge" on Discharge Monitoring Report (DMR) and shall add a Comments attachment to the DMR detailing why the sample was not collected. [Minn. R. 7001.0150, Subp. 2(B)]	
WS 001	Influent Waste	
		<b>Waste Stream: Class A Minor Facility Influent Requirements</b>
	5.2.1	The Permittee shall submit a monthly DMR : Due by 21 days after the end of each calendar month following permit issuance. [Minn. R. 7001.0150, Subp. 2(B)]
	5.2.2	Sampling Location. [Minn. R. 7001.0150, Subp. 2(B)]
	5.2.3	Samples for Station WS001 shall be taken at a point representative of total influent flow to the system. [Minn. R. 7001.0150, Subp. 2(B)]
5.2.4	The Permittee shall submit monitoring results in accordance with the limits and monitoring requirements for this station. If conditions are such that no sample can be acquired, the Permittee shall report "No Flow" or "No Discharge" on Discharge Monitoring Report (DMR) and shall add a Comments attachment to the DMR detailing why the sample was not collected. [Minn. R. 7001.0150, Subp. 2(B)]	
MN0041076	Big Lake WWTP	
		<b>Surface Discharge Station General Requirements</b>
	5.3.1	Analysis Requirements. [Minn. R. 7001]
	5.3.2	Dissolved oxygen and pH analyses shall be conducted within 15 minutes of sample collection. [Minn. R. 7053]
	5.3.3	Representative Samples. [Minn. R. 7001]
	5.3.4	Samples and measurements required by this permit shall be representative of the monitored activity. [Minn. R. 7001]
	5.3.5	Surface Discharge Prohibitions. [Minn. R. 7001]
	5.3.6	Floating solids or visible foam shall not be discharged in other than trace amounts. [Minn. R. 7001]
	5.3.7	Oil or other substances shall not be discharged in amounts that create a visible color film. [Minn. R. 7001]
	5.3.8	The Permittee shall install and maintain outlet protection measures at the discharge stations to prevent erosion. [Minn. R. 7001]
	5.3.9	Winter Sampling Conditions. [Minn. R. 7001]
	5.3.10	The Permittee shall sample flows at the designated monitoring stations including when this requires removing ice to sample the water. If the station is completely frozen throughout a designated sampling month, the Permittee shall check the "No Discharge" box on the Discharge Monitoring Report (DMR) and note the ice conditions in Comments on the DMR. [Minn. R. 7001]
	5.3.11	Phosphorus Limits and Monitoring Requirements. [Minn. R. 7001]
	5.3.12	Phosphorus Calculation Definitions. [Minn. R. 7001]
5.3.13	"12-Month Moving Total" is a rolling total. To calculate, for each month multiply the	



		total volume of effluent flow (MG) by the monthly average concentration and by a 3.785 conversion factor to get kg/month. Then add all of the monthly values (kg/mo) during the last twelve months, starting with the monthly total for the month of the current reporting period. [Minn. R. 7001]
5.3.14		Mercury Limits and Monitoring Requirements. [Minn. R. 7001]
5.3.15		Permittees are required to sample for TSS (grab sample) at the same time that Total/Dissolved Mercury samples are taken. Total Mercury, Dissolved Mercury, and TSS (grab sample) samples shall be collected via grab samples. All results shall be recorded on DMRs. [Minn. R. 7001]
5.3.16		Total and Dissolved Mercury samples shall be analyzed using the most current versions of EPA Method 1631 with clean techniques method 1669. Should another mercury analytical method that has a reportable quantitation level of <0.5 ng/L that allows for low-level sample characterization be approved by the EPA and certified by an MPCA recognized accreditation body, the method may be used in place of 1631/1669. [Minn. R. 7001]
5.3.17		Nitrogen Limits and Monitoring Requirements. [Minn. R. 7001]
5.3.18		"Total Nitrogen" is to be reported as the summation of the Total Kjeldahl Nitrogen and Total Nitrite plus Nitrate Nitrogen values. [Minn. R. 7001]
		<b>Waste Stream Station General Requirements</b>
5.4.19		Analysis Requirements. [Minn. R. 7001]
5.4.20		Dissolved oxygen and pH analyses shall be conducted within 15 minutes of sample collection. [Minn. R. 7053]
5.4.21		Representative Samples. [Minn. R. 7001]
5.4.22		Grab and composite samples shall be collected at a point representative of total influent flow to the system. [Minn. R. 7001]
5.4.23		Nitrogen Limits and Monitoring Requirements. [Minn. R. 7001]
5.4.24		"Total Nitrogen" is to be reported as the summation of the Total Kjeldahl Nitrogen and Total Nitrite plus Nitrate Nitrogen values. [Minn. R. 7001]
		<b>Mercury Minimization Plan</b>
5.5.25		The Permittee is required to complete and submit a Mercury Pollutant Minimization Plan (MMP) to the MPCA as detailed in this section. If the Permittee has previously submitted a MMP, it shall update its MMP and submit the updated MMP to the MPCA. The purpose of the MMP is to evaluate collection and treatment systems to determine possible sources of mercury as well as potential mercury reduction options. Guidelines for developing a MMP are detailed in this section. [Minn. R. 7001]
5.5.26		The specific mercury monitoring requirements are detailed in the limits and monitoring section of this permit. Information gained through the MMP process can be used to reduce mercury concentrations. As part of its mercury control strategy, the Permittee should consider selecting activities based on the potential of those activities to reduce mercury loadings to the wastewater treatment facility. [Minn. R. 7001]
5.5.27		The Permittee shall submit a mercury pollutant minimization plan : Due by 180 days prior to permit expiration. [Minn. R. 7001]
5.5.28		At a minimum, the MMP shall include the following:  a. A summary of mercury influent and effluent concentrations and biosolids monitoring data using the most recent five years of monitoring data, if available. b. Identification of existing and potential sources of mercury concentrations and/or loading to the facility. As appropriate for your facility, you should consider residential, institutional, municipal, and commercial sources (such as dental clinics, hospitals, medical clinics, nursing homes, schools, laundries, and industries with potential for mercury contributions). You should also consider other influent mercury sources, such

		<p>as stormwater inputs, ground water (inflow &amp; infiltration) inputs, lift station components, and waste streams or sewer tributaries to the wastewater treatment facility.</p> <p>c. An evaluation of past and present WWTF operations to determine those operating procedures that maximize mercury removal.</p> <p>d. A summary of any mercury reduction activities implemented during the last five years.</p> <p>e. A plan to implement mercury management and reduction measures during the next five years. [Minn. R. 7001]</p>
		<b>Mechanical System</b>
	5.6.29	Bypass Structures. [Minn. R. 7001]
	5.6.30	All structures capable of bypassing the treatment system shall be manually controlled and kept locked at all times. [Minn. R. 7001.0030]
	5.6.31	Sanitary Sewer Extension Permit. [Minn. R. 7001]
	5.6.32	The Permittee may be required to obtain a Sanitary Sewer Extension Permit from the MPCA for any addition, extension or replacement to the sanitary sewer. If a sewer extension permit is required, construction may not begin until plans and specifications have been submitted and a written permit is granted except as allowed in Minn. Stat. 115.07, Subd. 3(b). [Minn. R. 7001.0020, D]
	5.6.33	Operator Certification. [Minn. R. 7001]
	5.6.34	The Permittee shall provide a Class A state certified operator who is in direct responsible charge of the operation, maintenance and testing functions required to ensure compliance with the terms and conditions of this permit. [Minn. R. 9400]
	5.6.35	The Permittee shall provide the appropriate number of operators with a Type IV certification to be responsible for the land application of biosolids or semisolids from commercial or industrial operations. [Minn. R. 7001]
	5.6.36	If the Permittee chooses to meet operator certification requirements through a contractual agreement, the Permittee shall provide a copy of the contract to the MPCA, WQ Submittals Center. The contract shall include the certified operator's name, certificate number, company name if appropriate, the period covered by the contract and provisions for renewal; the duties and responsibilities of the certified operator; the duties and responsibilities of the permittee; and provisions for notifying the MPCA 30 days in advance of termination if the contract is terminated prior to the expiration date. [Minn. R. 9400]
	5.6.37	The Permittee shall notify the MPCA within 30 days of a change in operator certification or contract status. [Minn. R. 9400]
		<b>Pretreatment: Undelegated Requirements</b>
	5.7.38	Pretreatment - Definitions. [Minn. R. 7049]
	5.7.39	An "Individual Control Mechanism" is a document, such as an agreement or permit, that imposes limitations or requirements on an individual industrial user of the POTW. [Minn. R. 7049]
	5.7.40	<p>"Significant Industrial User" (SIU) means any industrial user that:</p> <p>a. discharges 25,000 gallons per day or more of process wastewater;</p> <p>b. contributes a load of five (5) % or more of the capacity of the POTW; or</p> <p>c. is designated as significant by the Permittee or the MPCA on the basis that the SIU has a reasonable potential to adversely impact the POTW, or the quality of its effluent or residuals. [Minn. R. 7049]</p>
	5.7.41	Pretreatment - Permittee Responsibility to Control Users. [Minn. R. 7049]
	5.7.42	It is the Permittee's responsibility to regulate the discharge from users of its wastewater treatment facility. The Permittee shall prevent any pass through of

		pollutants or any inhibition or disruption of the Permittee's facility, its treatment processes, or its sludge processes or disposal that contribute to the violation of the conditions of this permit or any federal or state law or regulation limiting the release of pollutants from the POTW. [Minn. R. 7049]
5.7.43		<p>The Permittee shall prohibit the discharge of the following to its wastewater treatment facility:</p> <ul style="list-style-type: none"> <li>a. pollutants which create a fire or explosion hazard, including any discharge with a flash point less than 60 degrees C (140 degrees F);</li> <li>b. pollutants which would cause corrosive structural damage to the POTW, including any waste stream with a pH of less than 5.0;</li> <li>c. solid or viscous pollutants which would obstruct flow;</li> <li>d. heat that would inhibit biological activity, including any discharge that would cause the temperature of the waste stream at the POTW treatment plant headwork's to exceed 40 degrees C (104 degrees F);</li> <li>e. pollutants which produce toxic gases, vapors, or fumes that may endanger the health or safety of workers; or</li> <li>f. any pollutant, including oxygen demanding pollutants such as biochemical oxygen demand, released at a flow rate or pollutant concentration that will cause interference or pass through. [Minn. R. 7049]</li> </ul>
5.7.44		The Permittee shall prohibit new discharges of non-contact cooling waters unless there is no cost effective alternative. Existing discharges of non-contact cooling water to the Permittee's wastewater treatment facility shall be eliminated, where elimination is cost-effective, or where an infiltration/inflow analysis and sewer system evaluation survey indicates the need for such removal. [Minn. R. 7049]
5.7.45		If the Permittee accepts trucked-in wastes, the Permittee shall evaluate the trucked in wastes prior to acceptance in the same manner as it monitors sewered wastes. The Permittee shall accept trucked-in wastes only at specifically designated points. [Minn. R. 7049]
5.7.46		Pollutant of concern means a pollutant that is or may be discharged by an industrial user that is, or reasonably should be of concern on the basis that it may cause the permittee to violate any permit limits on the release of pollutants. The following pollutants shall be evaluated to determine if they should be pollutants of concern: pollutants limited in this permit, pollutants for which monitoring is required in this permit, pollutants that are likely to cause inhibition of the Permittee's POTW, pollutants which may interfere with sludge disposal, and pollutants for which the Permittee's treatment facility has limited capacity. [Minn. R. 7049]
5.7.47		Control of Significant Industrial Users. [Minn. R. 7049]
5.7.48		The Permittee shall impose pretreatment requirements on SIUs which will ensure compliance with all applicable effluent limitations and other requirements set forth in this permit or any federal or state law or regulation limiting the release of pollutants from the POTW. These requirements shall be applied to SIUs by means of an individual control mechanism. [Minn. R. 7049]
5.7.49		The Permittee shall not knowingly enter into an individual control mechanism with any user that would allow the user to contribute an amount or strength of wastewater that would cause violation of any limitation or requirement in the permit, or any applicable federal, state or local law or regulation. [Minn. R. 7049]
5.7.50		Monitoring of Significant Industrial Users. [Minn. R. 7049]
5.7.51		The Permittee shall obtain from SIUs specific information on the quality and quantity of the SIU's discharges to the Permittee's POTW. Except where specifically requested by the Permittee and approved by the MPCA, this information shall be obtained by means of representative monitoring conducted by the Permittee or by the SIU under requirements imposed by the Permittee in the SIU's individual control mechanism. Monitoring performed to comply with this requirement shall include all pollutants for

		which the SIU is significant and shall be done at a frequency commensurate with the significance of the SIU. [Minn. R. 7049]
	5.7.52	Reporting and Notification. [Minn. R. 7049]
	5.7.53	The Permittee shall submit a pretreatment annual report : Due by 31 days after the end of each calendar year following permit issuance if a SIU discharges to the POTW during a given calendar year. [Minn. R. 7049]
	5.7.54	The Pretreatment Annual Report shall be submitted on forms provided by the agency or shall provide equivalent information.  The Permittee shall submit the pre-treatment report to the following address:  MPCA Attn: WQ Submittals Center 520 Lafayette Road North St. Paul, Minnesota 55155-4194. [Minn. R. 7049]
	5.7.55	The Permittee shall notify the MPCA in writing of any:  a. SIU of the Permittee's POTW which has not been previously disclosed to the MPCA; b. anticipated or actual changes in the volume or quality of discharge by an industrial user that could result in the industrial user becoming an SIU as defined in this chapter; or c. anticipated or actual changes in the volume or quality of discharges by a SIU that would require changes to the SIU's required local limits.  This notification shall be submitted within 30 days of identifying the IU as a SIU. Where changes are proposed, they shall be submitted prior to changes being made. [Minn. R. 7049]
	5.7.56	Upon notifying the MPCA of a SIU or change in a SIU discharge as required above, the Permittee shall submit the following information on forms provided by the agency or in a comparable format:  a. the identity of the SIU and a description of the SIU's operation and process; b. a characterization of the SIU's discharge; c. the required local limits that will be imposed on the SIU; d. a technical justification of the required local limits; and e. a plan for monitoring the SIU which is consistent with monitoring requirements in this chapter. [Minn. R. 7049]
	5.7.57	In addition, the Permittee shall, upon request, submit the following to the MPCA for approval:  a. additional information on the SIU, its processes and discharge; b. a copy of the individual control mechanism used to control the SIU; c. the Permittee's legal authority to be used for regulating the SIU; and d. the Permittee's procedures for enforcing the requirements imposed on the SIU. [Minn. R. 7049]
	5.7.58	The permittee shall notify MPCA of any of its industrial users that may be subject to national categorical pretreatment standards. [Minn. R. 7049]
	5.7.59	This permit may be modified in accordance with Minnesota Rules, ch. 7001 to require development of a pretreatment program approvable under the Federal General Pretreatment Regulation (40 CFR 403). [Minn. R. 7049]
		<b>Biosolids: Exceptional Quality</b>
	5.8.60	Authorization. [Minn. R. 7041]
	5.8.61	This permit authorizes the Permittee to prepare, store and distribute or apply heat

		dried domestic wastewater treatment Exceptional Quality Biosolids and biosolids described in this permit to the land in accordance with the provisions in this chapter and Minnesota Rules ch. 7041. [Minn. R. 7041]
5.8.62		Permittees who prepare bulk biosolids shall obtain approval of the sites on which bulk biosolids are applied before they are applied unless they are Exceptional Quality Biosolids. Site application procedures are set forth in Minn. R. ch. 7041.0800. [Minn. R. 7041.800]
5.8.63		Compliance Responsibility. [Minn. R. 7041]
5.8.64		The Permittee is responsible for ensuring that the applicable requirements in this chapter and Minn. R. ch. 7041 are met when biosolids are prepared, distributed, and/or applied to the land. [Minn. R. 7041]
5.8.65		Exceptional Quality Biosolids produced by the Permittee may not be blended by the Permittee with other materials before distributing them to other persons. [Minn. R. 7041]
5.8.66		Exceptional Quality Biosolids produced by the process described in this permit are not subject to the general requirements in Minnesota Rules ch. 7041.1000 or the management practices in Minnesota Rules ch. 7041.1200, except Minnesota Rules ch. 7041.1200, subp. 8, items D. and E. requirements for field storage do apply as noted below:  D. Long-term storage of Exceptional Quality Biosolids shall not take place within 1,000 feet of any downgradient surface waters and wetlands listed in subpart 3, item B, tile inlets, or sinkholes unless measures are taken to control runoff in which case the separation distance may be reduced to 200 feet. E. Long-term storage of bulk exceptional Quality Biosolids shall not be allowed on land with greater than a two percent slope. [Minn. R. 7041]
5.8.67		Long-term storage of Exceptional Quality Biosolids shall not exceed seven months on agricultural land, forest land, or a reclamation site. [Minn. R. 7041]
5.8.68		Protection from precipitation and blowing shall be provided when storing Exceptional Quality Biosolids in the field or out of doors. [Minn. R. 7041]
5.8.69		The total nitrogen, phosphorus and potassium content of Exceptional Quality Biosolids shall be supplied, in writing, by the person who prepares the biosolids to the person who applies or distributes the Exceptional Quality Biosolids for that person's use in recommending application rates. [Minn. R. 7041]
5.8.70		Notification Requirements. [Minn. R. 7041]
5.8.71		The Permittee shall provide information needed to comply with the biosolids requirements of Minn. R. ch. 7041 to others who prepare or use the biosolids. [Minn. R. 7041]
5.8.72		The Permittee shall inform, in writing, persons who receive the bulk Exceptional Quality Biosolids of the storage requirements in this chapter. [Minn. R. 7041]
5.8.73		Pollutant Limits. [Minn. R. 7041]
5.8.74		Biosolids which are applied to the land shall not exceed the ceiling concentrations in Table 1 and shall not be applied so that the cumulative amounts of pollutant in Table 2 are exceeded.  Table 1 Ceiling Concentrations (dry weight basis) Parameter in units mg/kg Arsenic 75 Cadmium 85 Copper 4300 Lead 840 Mercury 57 Molybdenum 75 Nickel 420

	<p>Selenium 100                  Zinc 7500</p> <p>Table 2 Cumulative Loading Limits                  Parameter in units lbs/acre                  Arsenic 37                  Cadmium 35                  Copper 1339                  Lead 268                  Mercury 15                  Molybdenum not established*                  Nickel 375                  Selenium 89                  Zinc 2500                  *The cumulative limit for molybdenum has not been established at the time of permit issuance. [Minn. R. 7041.1100]</p> <p>Table 3 Pollutant Concentrations</p> <p>Pollutant Concentration (mg/kg)*                  Arsenic 41                  Cadmium 39                  Copper 1500                  Lead 300                  Mercury 17                  Nickel 420                  Selenium 100                  Zinc 2800                  * On a dry weight basis, the arithmetic mean of all measurements taken during the month. [Minn. R. 7041]</p>
5.8.75	Pathogen and Vector Attraction Reduction. [Minn. R. 7041]
5.8.76	Biosolids shall be processed, treated, or be incorporated or injected into the soil to meet one of the vector attraction reduction requirements in Minnesota Rules, pt. 7041.1400. [Minn. R. 7041.1400]
5.8.77	Biosolids shall be processed or treated by one of the alternatives in Minnesota Rules, pt. 7041.1300 to meet the Class A or Class B standards for the reduction of pathogens. When Class B biosolids are applied to the land, the site restrictions in Minnesota Rules, pt. 7041.1300 shall also be met. [Minn. R. 7041]
5.8.78	<p>The minimum duration between application and harvest, grazing or public access to areas where Class B biosolids have been applied to the land is as follows:</p> <ol style="list-style-type: none"> <li>a. 14 months for food crops whose harvested parts may touch the soil/biosolids mixture (such as melons, squash, tomatoes, etc.), when biosolids are surface applied, incorporated or injected.</li> <li>b. 20 months or 38 months depending on the application method for food crops whose harvested parts grow in the soil (such as potatoes, carrots, onions, etc.). The 20 month time period is required when biosolids are surface applied or surface applied and incorporated after they have been on the soil surface for at least four (4) months. The 38 month time period is required when the biosolids are injected or surface applied and incorporated within four (4) months of application.</li> <li>c. 30 days for feed crops, other food crops (such as field corn, sweet corn, etc.), hay or fiber crops when biosolids are surface applied, incorporated or injected.</li> <li>d. 30 days for grazing of animals when biosolids are surface applied, incorporated or</li> </ol>

		<p>injected.</p> <p>e. One year where there is a high potential for public contact with the site, (such as a reclamation site located in populated areas, a construction site located in a city, turf farms, plant nurseries, etc.) and 30 days where there is low potential for public contact (such as agricultural land, forest, a reclamation site located in an unpopulated area, etc.) when biosolids are surface applied, incorporated, or injected. [Minn. R. 7041]</p>
5.8.79		<p>Exceptional Quality Biosolids are required to meet the Class A process standard in Minnesota Rules 7041.1300 subp. 2, item G.2 as follows:</p> <p>Heat drying. Sewage sludge is dried by direct or indirect contact with hot gases to reduce the moisture content of the sewage sludge to 10 percent or lower. Either the temperature of the sewage sludge particles exceeds 80 degrees Celsius or the wet bulb temperature of the gas in contact with the sewage sludge as the sewage sludge leaves the dryer exceeds 80 degrees Celsius. [Minn. R. 7041.1300, 2(G.2.)]</p>
5.8.80		<p>In addition to the Class A process defined above, either the density of fecal coliform in the biosolids shall be less than 1000 MPN/gram of total solids (dry weight basis) or the density of Salmonella sp. bacteria in the biosolids shall be less than three MPN per four grams or total solids (dry weight basis) at the time the biosolids are applied to land, are prepared for sale or giveaway in a bag or other container for application to land, or when the biosolids or material derived from the biosolids is prepared to meet the requirements of Exceptional Quality Biosolids. [Minn. R. 7041]</p>
5.8.81		<p>Exceptional Quality Biosolids are required to meet vector attraction reduction by the option defined in Minnesota Rules 7041.1400 subp. 2, item H, drying to at least 90% total solids content. [Minn. R. 7041.1400, 2(H)]</p>
5.8.82		<p>Management Practices. [Minn. R. 7041]</p>
5.8.83		<p>The management practices for the land application of biosolids are described in detail in Minn. R. ch. 7041.1200 and shall be followed unless specified otherwise in a site approval letter or a permit issued by the MPCA. [Minn. R. 7041.1200]</p>
5.8.84		<p>Overall management requirements:</p> <p>a. Biosolids shall not be applied to the land if it is likely to adversely affect a threatened or endangered species listed under Section 4 of the Endangered Species Act or its designated critical habitat.</p> <p>b. Biosolids shall not be applied to flooded, frozen or snow covered ground so that the biosolids enter wetlands or other waters of the state.</p> <p>c. Biosolids shall be applied at an agronomic rate unless specified otherwise by the MPCA in a permit.</p> <p>d. Biosolids shall not be applied within 33 feet of a wetland or waters of the state unless specified otherwise by the MPCA in a permit. [Minn. R. 7041]</p>
5.8.85		<p>Monitoring Requirements. [Minn. R. 7041]</p>
5.8.86		<p>Representative samples of biosolids applied to the land shall be analyzed by methods specified in Minnesota Rule pt. 7041.3200 for the following parameters: arsenic, cadmium, copper, lead, mercury, molybdenum, nickel, selenium, zinc, Kjeldahl nitrogen, ammonia nitrogen, total solids, volatile solids, phosphorus, potassium and pH. [Minn. R. 7041]</p>
5.8.87		<p>At a minimum, biosolids shall be monitored at the frequencies specified in Table 3 for the parameters listed above, and any pathogen or vector attraction reduction requirements in Minnesota Rules, pts. 7041.1300 and 7041.1400 if used to determine compliance with those parts.</p> <p>Table 3 Minimum Sampling Frequencies</p> <p>Biosolids Applied* Biosolids Applied* Frequency</p>

	(metric tons/365-day period) (tons/365-day period) (times/365-day period)  >0 but <290 >0 but <320 1 >=290 but <1,500 >=320 but <1,650 4 >=1,500 but <15,000 >=1,650 but <16,500 6 >=15,000 >=16,500 12  * Either the amount of bulk biosolids applied to the land or the amount of biosolids received by a person who prepares biosolids that are sold or given away in a bag or other container for application to the land (dry weight basis). [Minn. R. 7041]
5.8.88	Increased sampling frequencies are specified for the parameters listed in Table 4. Sampling at a frequency at twice the minimum frequencies in Table 3 is required if concentrations listed in Table 4 are exceeded (based on the average of all analyses made during the previous cropping year).  Table 4 Increased Frequency of Sampling  Parameter (mg/kg dry weight basis) Arsenic 38 Cadmium 43 Copper 2150 Lead 420 Mercury 28 Molybdenum 38 Nickel 210 Selenium 50 Zinc 3750. [Minn. R. 7041]
5.8.89	The Permittee shall keep records of the information necessary to show compliance with pollutant concentrations and loadings, pathogen reduction requirements, vector attraction reduction requirements and management practices as specified in Minnesota Rules, pt. 7041.1600, subp. 2 and/or 3, as applicable. [Minn. R. 7041]
5.8.90	Reporting Requirements. [Minn. R. 7041]
5.8.91	The Permittee shall submit a biosolids annual report : Due annually, by the 31st of December on a form provided by or approved by the MPCA. The report shall include the requirements in Minnesota Rules, part 7041.1700. [Minn. R. 7041]
5.8.92	The permittee shall submit a Biosolids Annual Report by December 31 of each year for biosolids storage and/or transfer activities occurring during the cropping year previous to December 31. The report shall indicate whether or not biosolids were transferred and/or stored. If biosolids were transferred, the report shall describe how much was transferred, where it was transferred to, the name of the facility that accepted the transfer and the contact person at that facility. "Cropping year" means a year beginning on September 1 of the year prior to the growing season and ending August 31 the year the crop is harvested. For example, the 2012 cropping year began September 1, 2011, and ended August 31, 2012. [Minn. R. 7041]
5.8.93	For biosolids that are stored for more than two years, the Biosolids Annual Report shall also include the analytical data from the representative sample of the biosolids generated during the cropping year. [Minn. R. 7041]
5.8.94	The Permittee shall submit the Biosolids Annual Report to:  MPCA Submittals Center Minnesota Pollution Control Agency 520 Lafayette Road North St. Paul, Minnesota 55155-4194. [Minn. R. 7041]
5.8.95	The Permittee shall notify the MPCA in writing when 90 percent or more of any of the



		cumulative pollutant loading rates listed for any Land Application Sites has been reached for a site. [Minn. R. 7041]
		<b>Total Facility Requirements (NPDES/SDS)</b>
	5.9.96	Definitions. Refer to the 'Permit Users Manual' found on the MPCA website ( <a href="http://www.pca.state.mn.us">www.pca.state.mn.us</a> ) for standard definitions. [Minn. R. 7001. ]
	5.9.97	Incorporation by Reference. The following applicable federal and state laws are incorporated by reference in this permit, are applicable to the Permittee, and are enforceable parts of this permit: 40 CFR pts. 122.41, 122.42, 136, 403 and 503; Minn. R. pts. 7001, 7041, 7045, 7050, 7052, 7053, 7060, and 7080; and Minn. Stat. ch. 115 and 116. [Minn. R. 7001]
	5.9.98	Permittee Responsibility. The Permittee shall perform the actions or conduct the activity authorized by the permit in compliance with the conditions of the permit and, if required, in accordance with the plans and specifications approved by the Agency. [Minn. R. 7001.0150, subp. 3(E)]
	5.9.99	Toxic Discharges Prohibited. Whether or not this permit includes effluent limitations for toxic pollutants, the Permittee shall not discharge a toxic pollutant except according to Code of Federal Regulations, Title 40, sections 400 to 460 and Minnesota Rules 7050, 7052, 7053 and any other applicable MPCA rules. [Minn. R. 7001.1090, subp. 1(A)]
	5.9.100	Nuisance Conditions Prohibited. The Permittee's discharge shall not cause any nuisance conditions including, but not limited to: floating solids, scum and visible oil film, acutely toxic conditions to aquatic life, or other adverse impact on the receiving water. [Minn. R. 7050.0210, subp. 2]
	5.9.101	Property Rights. This permit does not convey a property right or an exclusive privilege. [Minn. R. 7001.0150, subp. 3(C)]
	5.9.102	Liability Exemption. In issuing this permit, the state and the MPCA assume no responsibility for damage to persons, property, or the environment caused by the activities of the Permittee in the conduct of its actions, including those activities authorized, directed, or undertaken under this permit. To the extent the state and the MPCA may be liable for the activities of its employees, that liability is explicitly limited to that provided in the Tort Claims Act. [Minn. R. 7001.0150, subp. 3(O)]
	5.9.103	The MPCA's issuance of this permit does not obligate the MPCA to enforce local laws, rules, or plans beyond what is authorized by Minnesota Statutes. [Minn. R. 7001.0150, subp. 3(D)]
	5.9.104	Liabilities. The MPCA's issuance of this permit does not release the Permittee from any liability, penalty or duty imposed by Minnesota or federal statutes or rules or local ordinances, except the obligation to obtain the permit. [Minn. R. 7001.0150, subp. 3(A)]
	5.9.105	The issuance of this permit does not prevent the future adoption by the MPCA of pollution control rules, standards, or orders more stringent than those now in existence and does not prevent the enforcement of these rules, standards, or orders against the Permittee. [Minn. R. 7001.0150, subp. 3(B)]
	5.9.106	Severability. The provisions of this permit are severable and, if any provisions of this permit or the application of any provision of this permit to any circumstance are held invalid, the application of such provision to other circumstances and the remainder of this permit shall not be affected thereby. [Minn. R. 7001]
	5.9.107	Compliance with Other Rules and Statutes. The Permittee shall comply with all applicable air quality, solid waste, and hazardous waste statutes and rules in the operation and maintenance of the facility. [Minn. R. 7001]
	5.9.108	Inspection and Entry. When authorized by Minn. Stat. ch. 115.04; 115B.17, subd. 4; and 116.091, and upon presentation of proper credentials, the agency, or an authorized employee or agent of the agency, shall be allowed by the Permittee to enter at reasonable times upon the property of the Permittee to examine and copy

		books, papers, records, or memoranda pertaining to the construction, modification, or operation of the facility covered by the permit or pertaining to the activity covered by the permit; and to conduct surveys and investigations, including sampling or monitoring, pertaining to the construction, modification, or operation of the facility covered by the permit or pertaining to the activity covered by the permit. [Minn. R. 7001.0150, subp. 3(I)]
	5.9.109	Control Users. The Permittee shall regulate the users of its wastewater treatment facility so as to prevent the introduction of pollutants or materials that may result in the inhibition or disruption of the conveyance system, treatment facility or processes, or disposal system that would contribute to the violation of the conditions of this permit or any federal, state or local law or regulation. [Minn. R. 7001.0150, subp. 3(F)]
	5.9.110	Sampling. [Minn. R. 7001]
	5.9.111	Representative Sampling. Samples and measurements required by this permit shall be conducted as specified in this permit and shall be representative of the discharge or monitored activity. [40 CFR 122.41(j)(1)]
	5.9.112	Additional Sampling. If the Permittee monitors more frequently than required, the results and the frequency of monitoring shall be reported on the Discharge Monitoring Report (DMR) or another MPCA-approved form for that reporting period. [Minn. R. 7001.1090, subp. 1(E)]
	5.9.113	Certified Laboratory. A laboratory certified by the Minnesota Department of Health and/or registered by the MPCA shall conduct analyses required by this permit. Analyses of dissolved oxygen, pH, temperature, specific conductance, and total residual oxidants (chlorine, bromine) do not need to be completed by a certified laboratory but shall comply with manufacturers specifications for equipment calibration and use. [Minn. R. 4740.2010, Minn. R. 4740.2050 through 2120]
	5.9.114	Sample Preservation and Procedure. Sample preservation and test procedures for the analysis of pollutants shall conform to 40 CFR Part 136 and Minn. R. 7041.3200. [40 CFR 136, Minn. R. 7041.3200]
	5.9.115	Equipment Calibration: Flow meters, pumps, flumes, lift stations or other flow monitoring equipment used for purposes of determining compliance with permit shall be checked and/or calibrated for accuracy at least twice annually. [Minn. R. 7001.0150, 2(B and C)]
	5.9.116	Maintain Records. The Permittee shall keep the records required by this permit for at least three years, including any calculations, original recordings from automatic monitoring instruments, and laboratory sheets. The Permittee shall extend these record retention periods upon request of the MPCA. The Permittee shall maintain records for each sample and measurement. The records shall include the following information:  a. the exact place, date, and time of the sample or measurement; b. the date of analysis; c. the name of the person who performed the sample collection, measurement, analysis, or calculation; d. the analytical techniques, procedures and methods used; and e. the results of the analysis. [Minn. R. 7001.0150, 2(C)]
	5.9.117	Completing Reports. The Permittee shall submit the results of the required sampling and monitoring activities on the forms provided, specified, or approved by the MPCA. The information shall be recorded in the specified areas on those forms and in the units specified.  Required forms may include DMR Supplemental/Sample Value Form Individual values for each sample and measurement shall be recorded on the DMR Supplemental/Sample Value Form which, if required, will be provided by the MPCA. DMR Supplemental/Sample Value Forms shall be submitted with the appropriate

	<p>DMRs. You may design and use your own supplemental form; however it shall be approved by the MPCA. Note: Required summary information shall also be recorded on the DMR. Summary information that is submitted ONLY on the DMR Supplemental/Sample Value Form does not comply with the reporting requirements. [Minn. R. 7001.1090, 1(D), Minn. R. 7001.150, 2(B)]</p>
5.9.118	<p>Submitting Reports. DMRs, DMR supplemental forms and related attachments must be electronically submitted via the MPCA Online Services Portal after authorization is approved.</p> <p>DMRs and DMR Supplemental Forms shall be electronically submitted by the 21st day of the month following the sampling period or as otherwise specified in this permit. Electronic DMR submittal shall be complete on or before 11:59 PM of the 21st day of the month following the sampling period or as otherwise specified in this permit. A DMR shall be submitted for each required station even if no discharge occurred during the reporting period.</p> <p>Other reports required by this permit shall be postmarked by the date specified in the permit to: MPCA, Attn: WQ Submittals Center, 520 Lafayette Road North, St Paul Minnesota 551554194. [Minn. R. 7001..0150, Subp. 2(B), Minn. R. 7001..0150, Subp. 3(H)]</p>
5.9.119	<p>Incomplete or Incorrect Reports. The Permittee shall immediately submit an electronically amended report or DMR to the MPCA upon discovery by the Permittee or notification by the MPCA that it has submitted an incomplete or incorrect report or DMR. The amended report or DMR shall contain the missing or corrected data along with a cover letter explaining the circumstances of the incomplete or incorrect report. If it is impossible to electronically amend the report or DMR, the Permittee shall immediately notify the MPCA and the MPCA will provide direction for the amendment submittals. [Minn. R. 7001.0150, 3(G)]</p>
5.9.120	<p>Required Signatures. All DMRs, forms, reports, and other documents submitted to the MPCA shall be signed by the Permittee or the duly authorized representative of the Permittee. Minn. R. 7001.0150, subp. 2, item D. The person or persons that sign the DMRs, forms, reports or other documents shall certify that he or she understands and complies with the certification requirements of Minn. R. 7001.0070 and 7001.0540, including the penalties for submitting false information. Technical documents, such as design drawings and specifications and engineering studies required to be submitted as part of a permit application or by permit conditions, shall be certified by a registered professional engineer. [Minn. R. 7001.0540]</p>
5.9.121	<p>Detection Level. The Permittee shall report monitoring results below the reporting limit (RL) of a particular instrument as "&lt;" the value of the RL. For example, if an instrument has a RL of 0.1 mg/L and a parameter is not detected at a value of 0.1 mg/L or greater, the concentration shall be reported as "&lt;0.1 mg/L." "Non-detected," "undetected," "below detection limit," and "zero" are unacceptable reporting results, and are permit reporting violations.</p> <p>Where sample values are less than the level of detection and the permit requires reporting of an average, the Permittee shall calculate the average as follows:</p> <ol style="list-style-type: none"><li>If one or more values are greater than the level of detection, substitute zero for all nondetectable values to use in the average calculation.</li><li>If all values are below the level of detection, report the averages as "&lt;" the corresponding level of detection.</li><li>Where one or more sample values are less than the level of detection, and the permit requires reporting of a mass, usually expressed as kg/day, the Permittee shall substitute zero for all nondetectable values. [Minn. R. 7001.0150, 2(B)]</li></ol>

5.9.122	Records. The Permittee shall, when requested by the Agency, submit within a reasonable time the information and reports that are relevant to the control of pollution regarding the construction, modification, or operation of the facility covered by the permit or regarding the conduct of the activity covered by the permit. [Minn. R. 7001.0150, 3(H)]
5.9.123	Confidential Information. Except for data determined to be confidential according to Minn. Stat. ch. 116.075, subd. 2, all reports required by this permit shall be available for public inspection. Effluent data shall not be considered confidential. To request the Agency maintain data as confidential, the Permittee shall follow Minn. R. 7000.1300. [Minn. R. 7000.1300]
5.9.124	Noncompliance and Enforcement. [Minn. R. 7001]
5.9.125	Subject to Enforcement Action and Penalties. Noncompliance with a term or condition of this permit subjects the Permittee to penalties provided by federal and state law set forth in section 309 of the Clean Water Act; United States Code, title 33, section 1319, as amended; and in Minn. Stat. ch. 115.071 and 116.072, including monetary penalties, imprisonment, or both. [Minn. R. 7001.1090, 1(B)]
5.9.126	Criminal Activity. The Permittee may not knowingly make a false statement, representation, or certification in a record or other document submitted to the Agency. A person who falsifies a report or document submitted to the Agency, or tampers with, or knowingly renders inaccurate a monitoring device or method required to be maintained under this permit is subject to criminal and civil penalties provided by federal and state law. [Minn. R. 7001.0150, 3(G), Minn. R. 7001.1090, 1(G and H), Minn. Stat. ch. 609.671, 1]
5.9.127	Noncompliance Defense. It shall not be a defense for the Permittee in an enforcement action that it would have been necessary to halt or reduce the permitted activity in order to maintain compliance with the conditions of this permit. [40 CFR 122.41(c)]
5.9.128	<p>Effluent Violations. If sampling by the Permittee indicates a violation of any discharge limitation specified in this permit, the Permittee shall immediately make every effort to verify the violation by collecting additional samples, if appropriate, investigate the cause of the violation, and take action to prevent future violations. If the permittee discovers that noncompliance with a condition of the permit has occurred which could endanger human health, public drinking water supplies, or the environment, the Permittee shall within 24 hours of the discovery of the noncompliance, orally notify the commissioner and submit a written description of the noncompliance within 5 days of the discovery. The written description shall include items a. through e., as listed below. If the Permittee discovers other non-compliance that does not explicitly endanger human health, public drinking water supplies, or the environment, the non-compliance shall be reported during the next reporting period to the MPCA with its Discharge Monitoring Report (DMR). If no DMR is required within 30 days, the Permittee shall submit a written report within 30 days of the discovery of the noncompliance. This description shall include the following information:</p> <ul style="list-style-type: none"><li>a. a description of the event including volume, duration, monitoring results and receiving waters;</li><li>b. the cause of the event;</li><li>c. the steps taken to reduce, eliminate and prevent reoccurrence of the event;</li><li>d. the exact dates and times of the event; and</li><li>e. steps taken to reduce any adverse impact resulting from the event. [Minn. R. 7001.150, 3(K)]</li></ul>
5.9.129	Upset Defense. In the event of temporary noncompliance by the Permittee with an applicable effluent limitation resulting from an upset at the Permittee's facility due to factors beyond the control of the Permittee, the Permittee has an affirmative defense to an enforcement action brought by the Agency as a result of the noncompliance if the Permittee demonstrates by a preponderance of competent evidence:

		<p>a. the specific cause of the upset;                  b. that the upset was unintentional;                  c. that the upset resulted from factors beyond the reasonable control of the Permittee and did not result from operational error, improperly designed treatment facilities, inadequate treatment facilities, lack of preventative maintenance, or increases in production which are beyond the design capability of the treatment facilities;                  d. that at the time of the upset the facility was being properly operated;                  e. that the Permittee properly notified the Commissioner of the upset in accordance with Minn. R. 7001.1090, subp. 1, item I; and                  f. that the Permittee implemented the remedial measures required by Minn. R. 7001.0150, subp. 3, item J. [Minn. R. 7001.1090]</p>
	5.9.130	Release. [Minn. R. 7001]
	5.9.131	Unauthorized Releases of Wastewater Prohibited. Except for discharges from outfalls specifically authorized by this permit, overflows, discharges, spills, or other releases of wastewater or materials to the environment, whether intentional or not, are prohibited. However, the MPCA will consider the Permittee's compliance with permit requirements, frequency of release, quantity, type, location, and other relevant factors when determining appropriate action. [40 CFR 122.41, Minn. Stat. ch. 115.061]
	5.9.132	<p>Discovery of a release. Upon discovery of a release, the Permittee shall:</p> <p>a. Take all reasonable steps to immediately end the release.                  b. Notify the Minnesota Department of Public Safety Duty Officer at 1(800)422-0798 or (651)649-5451 (metro area) immediately upon discovery of the release. You may contact the MPCA during business hours at 1(800)657-3864 or (651)296-6300 (metro area).                  c. Recover as rapidly and as thoroughly as possible all substances and materials released or immediately take other action as may be reasonably possible to minimize or abate pollution to waters of the state or potential impacts to human health caused thereby. If the released materials or substances cannot be immediately or completely recovered, the Permittee shall contact the MPCA. If directed by the MPCA, the Permittee shall consult with other local, state or federal agencies (such as the Minnesota Department of Natural Resources and/or the Wetland Conservation Act authority) for implementation of additional clean-up or remediation activities in wetland or other sensitive areas. [Minn. R. 7001.1090]</p>
	5.9.133	<p>Sampling of a release. Upon discovery of a release, the Permittee shall:</p> <p>a. Collect representative samples of the release. The Permittee shall sample the release for parameters of concern immediately following discovery of the release. The Permittee may contact the MPCA during business hours to discuss the sampling parameters and protocol. In addition, Fecal Coliform Bacteria samples shall be collected where it is determined by the Permittee that the release contains or may contain sewage. If the release cannot be immediately stopped, the Permittee shall consult with MPCA regarding additional sampling requirements. Samples shall be collected at least, but not limited to, two times per week for as long as the release continues.                  b. Submit the sampling results on the Release Sampling Form (<a href="http://www.pca.state.mn.us/index.php/view-document.html?gid=18867">http://www.pca.state.mn.us/index.php/view-document.html?gid=18867</a>). The Release Sampling Form shall be submitted to the MPCA with the next DMR or within 30 days whichever is sooner. [Minn. R. 7001.1090]</p>
	5.9.134	Bypass. [Minn. R. 7001]
	5.9.135	Anticipated bypass. The permittee may allow any bypass to occur which does not cause effluent limitations to be exceeded, but only if the bypass is for essential maintenance to assure efficient operation of the facility. The permittee shall submit

	<p>prior notice, if possible at least ten days before the date of the bypass to the MPCA.</p> <p>The notice of the need for an anticipated bypass shall include the following information:</p> <ul style="list-style-type: none"> <li>a. the proposed date and estimated duration of the bypass;</li> <li>b. the alternatives to bypassing; and</li> <li>c. a proposal for effluent sampling during the bypass. Any bypass wastewater shall enter waters of the state from outfalls specifically authorized by this permit. Therefore, samples shall be collected at the frequency and location identified in this permit or two times per week for as long as the bypass continues, whichever is more frequent. [40 CFR 122.41(m)(2 and 3), Minn. R. 7001.1090, 1(J)]</li> </ul>
5.9.136	<p>All other bypasses are prohibited. The MPCA may take enforcement action against the Permittee for a bypass, unless the specific conditions described in Minn. R. Ch. 7001.1090 subp. 1, K and 122.41(m)(4)(i) are met.</p> <p>In the event of an unanticipated bypass, the permittee shall:</p> <ul style="list-style-type: none"> <li>a. Take all reasonable steps to immediately end the bypass.</li> <li>b. Notify the Minnesota Department of Public Safety Duty Officer at 1(800)422-0798 or (651)649-5451 (metro area) immediately upon commencement of the bypass. You may contact the MPCA during business hours at 1(800)657-3864 or (651)296-6300 (metro area).</li> <li>c. Immediately take action as may be reasonably possible to minimize or abate pollution to waters of the state or potential impacts to human health caused thereby. If directed by the MPCA, the Permittee shall consult with other local, state or federal agencies for implementation of abatement, clean-up, or remediation activities.</li> <li>d. Only allow bypass wastewater as specified in this section to enter waters of the state from outfalls specifically authorized by this permit. Samples shall be collected at the frequency and location identified in this permit or two times per week for as long as the bypass continues, whichever is more frequent. The permittee shall also follow the reporting requirements for effluent violations as specified in this permit. [40 CFR 122.41(m)(4)(i), Minn. R. 7001.1090, 1(K), Minn. Stat. ch. 115.061]</li> </ul>
5.9.137	<p>Operation and Maintenance. [Minn. R. 7001]</p>
5.9.138	<p>The Permittee shall at all times properly operate and maintain the facilities and systems of treatment and control, and the appurtenances related to them which are installed or used by the Permittee to achieve compliance with the conditions of the permit. Proper operation and maintenance includes effective performance, adequate funding, adequate operator staffing and training, and adequate laboratory and process controls, including appropriate quality assurance procedures. The Permittee shall install and maintain appropriate backup or auxiliary facilities if they are necessary to achieve compliance with the conditions of the permit and, for all permits other than hazardous waste facility permits, if these backup or auxiliary facilities are technically and economically feasible Minn. R. 7001.0150. subp. 3, item F. [Minn. R. 7001.0150, 3(F)]</p>
5.9.139	<p>In the event of a reduction or loss of effective treatment of wastewater at the facility, the Permittee shall control production or curtail its discharges to the extent necessary to maintain compliance with the terms and conditions of this permit. The Permittee shall continue this control or curtailment until the wastewater treatment facility has been restored or until an alternative method of treatment is provided. [Minn. R. 7001.1090, 1(C)]</p>
5.9.140	<p>Solids Management. The Permittee shall properly store, transport, and dispose of biosolids, septage, sediments, residual solids, filter backwash, screenings, oil, grease, and other substances so that pollutants do not enter surface waters or ground waters</p>

		of the state. Solids should be disposed of in accordance with local, state and federal requirements. [40 CFR 503, Minn. R. 7041]
5.9.141		Scheduled Maintenance. The Permittee shall schedule maintenance of the treatment works during non-critical water quality periods to prevent degradation of water quality, except where emergency maintenance is required to prevent a condition that would be detrimental to water quality or human health. [Minn. R. 7001.0150, 3(F), Minn. R. 7001.150, 2(B)]
5.9.142		Control Tests. In-plant control tests shall be conducted at a frequency adequate to ensure compliance with the conditions of this permit. [Minn. R. 7001.0150, 3(F), Minn. R. 7001.150, 2(B)]
5.9.143		Changes to the Facility or Permit. [Minn. R. 7001]
5.9.144		<p>Permit Modifications. Except as provided under Minnesota Statutes, section 115.07, subdivisions 1 and 3, no person required by statute or rule to obtain a permit may construct, install, modify, or operate the facility to be permitted, nor shall a person commence an activity for which a permit is required by statute or rule until the agency has issued a written permit for the facility or activity.</p> <p>Permittees that propose to make a change to the facility or discharge that requires a permit modification shall follow Minn. R. 7001.0190. If the Permittee cannot determine whether a permit modification is needed, the Permittee shall contact the MPCA prior to any action. It is recommended that the application for permit modification be submitted to the MPCA at least 180 days prior to the planned change. [Minn. R. 7001.0030]</p>
5.9.145		<p>Plans, specifications and MPCA approval are not necessary when maintenance dictates the need for installation of new equipment, provided the equipment is the same design size and has the same design intent. For instance, a broken pipe, lift station pump, aerator, or blower can be replaced with the same design-sized equipment without MPCA approval.</p> <p>If the proposed construction is not expressly authorized by this permit, it may require a permit modification. If the construction project requires an Environmental Assessment Worksheet under Minn. R. 4410, no construction shall begin until a negative declaration is issued and all approvals are received or implemented. [Minn. R. 7001.0030]</p>
5.9.146		Report Changes. The Permittee shall give advance notice as soon as possible to the MPCA of any substantial changes in operational procedures, activities that may alter the nature or frequency of the discharge, and/or material factors that may affect compliance with the conditions of this permit. [Minn. R. 7001.0150, 3(M)]
5.9.147		<p>Chemical Additives. The Permittee shall receive prior written approval from the MPCA before increasing the use of a chemical additive authorized by this permit, or using a chemical additive not authorized by this permit, in quantities or concentrations that have the potential to change the characteristics, nature and/or quality of the discharge.</p> <p>The Permittee shall request approval for an increased or new use of a chemical additive at least 60 days, or as soon as possible, before the proposed increased or new use. This written request shall include at least the following information for the proposed additive:</p> <ol style="list-style-type: none"> <li>a. The process for which the additive will be used;</li> <li>b. Safety Data Sheet (SDS) which shall include aquatic toxicity, human health, and environmental fate information for the proposed additive. The aquatic toxicity information shall include at minimum the results of: a) a 48-hour LC50 or EC50 acute study for a North American freshwater planktonic crustacean (either Ceriodaphnia or</li> </ol>

	<p>Daphnia sp.) and b) a 96-hour LC50 acute study for rainbow trout, bluegill or fathead minnow or another North American freshwater aquatic species other than a planktonic crustacean;</p> <p>c. a complete product use and instruction label;</p> <p>d. the commercial and chemical names and Chemical Abstract Survey (CAS) number for all ingredients in the additive (If the MSDS does not include information on chemical composition, including percentages for each ingredient totaling to 100%, the Permittee shall contact the supplier to have this information provided); and</p> <p>e. The proposed method of application, application frequency, concentration, and daily average and maximum rates of use.</p> <p>Upon review of the information submitted regarding the proposed chemical additive, the MPCA may require additional information be submitted for consideration. This permit may be modified to restrict the use or discharge of a chemical additive and include additional influent and effluent monitoring requirements. Approval for the use of an additive shall not justify the exceedance of any effluent limitation nor shall it be used as a defense against pollutant levels in the discharge causing or contributing to the violation of a water quality standard. [Minn. R. 7001.0170]</p>
5.9.148	<p>MPCA Initiated Permit Modification, Suspension, or Revocation. The MPCA may modify or revoke and reissue this permit pursuant to Minn. R. 7001.0170. The MPCA may revoke without reissuance this permit pursuant to Minn. R. 7001.0180. [Minn. R. 7001.0170, Minn. R. 7001.0180]</p>
5.9.149	<p>TMDL Impacts. Facilities that discharge to an impaired surface water, watershed or drainage basin may be required to comply with additional permits or permit requirements, including additional restriction or relaxation of limits and monitoring as authorized by the CWA 303(d)(4)(A) and 40 CFR 122.44.l.2.i., necessary to ensure consistency with the assumptions and requirements of any applicable US EPA approved wasteload allocations resulting from Total Maximum Daily Load (TMDL) studies. [40 CFR 122.44(l)(2)(i)]</p>
5.9.150	<p>Permit Transfer. The permit is not transferable to any person without the express written approval of the Agency after compliance with the requirements of Minn. R. 7001.0190. A person to whom the permit has been transferred shall comply with the conditions of the permit. [Minn. R. 7001.0150, 3(N)]</p>
5.9.151	<p>Facility Closure. The Permittee is responsible for closure and post-closure care of the facility. The Permittee shall notify the MPCA of a significant reduction or cessation of the activities described in this permit at least 180 days before the reduction or cessation. The MPCA may require the Permittee to provide to the MPCA a facility Closure Plan for approval.</p> <p>Facility closure that could result in a potential long-term water quality concern, such as the ongoing discharge of wastewater to surface or ground water, may require a permit modification or reissuance.</p> <p>The MPCA may require the Permittee to establish and maintain financial assurance to ensure performance of certain obligations under this permit, including closure, post-closure care and remedial action at the facility. If financial assurance is required, the amount and type of financial assurance, and proposed modifications to previously MPCA-approved financial assurance, shall be approved by the MPCA. [Minn. Stat. ch. 116.07, 4]</p>
5.9.152	<p>Permit Reissuance. If the Permittee desires to continue permit coverage beyond the date of permit expiration, the Permittee shall submit an application for permit reissuance : Due by 180 days prior to permit expiration. If the Permittee does not intend to continue the activities authorized by this permit after the expiration date of this permit, the Permittee shall notify the MPCA in writing at least 180 days before</p>



permit expiration.

If the Permittee has submitted a timely application for permit reissuance, the Permittee may continue to conduct the activities authorized by this permit, in compliance with the requirements of this permit, until the MPCA takes final action on the application, unless the MPCA determines any of the following (Minn. R. 7001.0040 and 7001.0160):

- a. The Permittee is not in substantial compliance with the requirements of this permit, or with a stipulation agreement or compliance schedule designed to bring the Permittee into compliance with this permit;
- b. The MPCA, as a result of an action or failure to act by the Permittee, has been unable to take final action on the application on or before the expiration date of the permit;
- c. The Permittee has submitted an application with major deficiencies or has failed to properly supplement the application in a timely manner after being informed of deficiencies. [Minn. R. 7001.0160]

DRAFT

**6. Submittal action summary**

SD 001	Effluent To Surface Water	
		<b>Surface Discharge: Class A Minor Facility Effluent Requirements</b>
	6.1.1	The Permittee shall submit a monthly DMR : Due by 21 days after the end of each calendar month following permit issuance. [Minn. R. 7001.0150, Subp. 2(B)]
WS 001	Influent Waste	
		<b>Waste Stream: Class A Minor Facility Influent Requirements</b>
	6.2.1	The Permittee shall submit a monthly DMR : Due by 21 days after the end of each calendar month following permit issuance. [Minn. R. 7001.0150, Subp. 2(B)]
MN0041076	Big Lake WWTP	
		<b>Mercury Minimization Plan</b>
	6.3.1	The Permittee shall submit a mercury pollutant minimization plan : Due by 180 days prior to permit expiration. [Minn. R. 7001]
		<b>Pretreatment: Undelegated Requirements</b>
	6.4.2	The Permittee shall submit a pretreatment annual report : Due by 31 days after the end of each calendar year following permit issuance if a SIU discharges to the POTW during a given calendar year. [Minn. R. 7049]
		<b>Biosolids: Exceptional Quality</b>
	6.5.3	The Permittee shall submit a biosolids annual report : Due annually, by the 31st of December on a form provided by or approved by the MPCA. The report shall include the requirements in Minnesota Rules, part 7041.1700. [Minn. R. 7041]
		<b>Total Facility Requirements (NPDES/SDS)</b>
	6.6.4	<p>Permit Reissuance. If the Permittee desires to continue permit coverage beyond the date of permit expiration, the Permittee shall submit an application for permit reissuance : Due by 180 days prior to permit expiration. If the Permittee does not intend to continue the activities authorized by this permit after the expiration date of this permit, the Permittee shall notify the MPCA in writing at least 180 days before permit expiration.</p> <p>If the Permittee has submitted a timely application for permit reissuance, the</p>

Permittee may continue to conduct the activities authorized by this permit, in compliance with the requirements of this permit, until the MPCA takes final action on the application, unless the MPCA determines any of the following (Minn. R. 7001.0040 and 7001.0160):

- a. The Permittee is not in substantial compliance with the requirements of this permit, or with a stipulation agreement or compliance schedule designed to bring the Permittee into compliance with this permit;
- b. The MPCA, as a result of an action or failure to act by the Permittee, has been unable to take final action on the application on or before the expiration date of the permit;
- c. The Permittee has submitted an application with major deficiencies or has failed to properly supplement the application in a timely manner after being informed of deficiencies. [Minn. R. 7001.0160]

DRAFT

7. Limits and monitoring

Subject item	Parameter	Discharge limitations					Monitoring requirements					Notes
		Quantity /Loading avg.	Quantity /Loading max.	Quantity /Loading units	Quality /Conc. min.	Quality /Conc. avg.	Quality /Conc. max.	Quality/ Conc. units	Frequency	Sample type	Effective period	
SD 001 Total Facility Discharge	BOD, Carbonaceous 05 Day (20 Deg C)	34.3 calendar month average	54.9 maximum calendar week average	kilograms per day		25.0 calendar month average	40.0 maximum calendar week average	milligrams per liter	twice per week	24-Hour Flow Composite	Jan-Dec	
SD 001 Total Facility Discharge	BOD, Carbonaceous 05 Day (20 Deg C) Percent Removal				85 minimum calendar month average			percent	twice per week	Calculation	Jan-Dec	
SD 001 Total Facility Discharge	Fecal Coliform, MPN or Membrane Filter 44.5C					200 calendar month geometric mean		organisms per 100 milliliter	twice per week	Grab	Apr-Oct	
SD 001 Total Facility Discharge	Flow		Monitor only. calendar month total	million gallons		Monitor only. calendar month average	Monitor only. calendar month maximum	million gallons per day	once per day	Measurement, Continuous	Jan-Dec	
SD 001 Total Facility Discharge	Mercury, Dissolved (as Hg)						Monitor only. calendar month maximum	nanograms per liter	once per month	Grab	Jul	
SD 001 Total Facility Discharge	Mercury, Total (as Hg)						Monitor only. calendar month maximum	nanograms per liter	once per month	Grab	Jul	
SD 001 Total Facility Discharge	Nitrite Plus Nitrate, Total (as N)					Monitor only. calendar quarter average		milligrams per liter	once per quarter	24-Hour Flow Composite	Mar, Jun, Sep, Dec	
SD 001 Total Facility Discharge	Nitrogen, Ammonia, Total (as N)					Monitor only. calendar month average		milligrams per liter	once per month	24-Hour Flow Composite	Mar, Sep	

Subject item	Parameter	Discharge limitations				Monitoring requirements						Notes
		Quantity /Loading avg.	Quantity /Loading max.	Quantity /Loading units	Quality /Conc. min.	Quality /Conc. avg.	Quality /Conc. max.	Quality/ Conc. units	Frequency	Sample type	Effective period	
SD 001 Total Facility Discharge	Nitrogen, Kjeldahl, Total					Monitor only. calendar quarter average		milligrams per liter	once per quarter	24-Hour Flow Composite	Mar, Jun, Sep, Dec	
SD 001 Total Facility Discharge	Nitrogen, Total (as N)					Monitor only. calendar quarter average		milligrams per liter	once per quarter	24-Hour Flow Composite	Mar, Jun, Sep, Dec	
SD 001 Total Facility Discharge	Oxygen, Dissolved				Monitor only. calendar month minimum			milligrams per liter	once per day	Grab	Jan-Dec	
SD 001 Total Facility Discharge	pH				6.0 calendar month minimum		9.0 calendar month maximum	standard units	once per day	Grab	Jan-Dec	
SD 001 Total Facility Discharge	Phosphorus, Total (as P)		1160 12-month moving total	kilograms per year					once per month	Calculation	Jan-Dec	
SD 001 Total Facility Discharge	Phosphorus, Total (as P)	Monitor only. calendar month average		kilograms per day		Monitor only. calendar month average		milligrams per liter	once per week	24-Hour Flow Composite	Jan-Dec	
SD 001 Total Facility Discharge	Solids, Total Dissolved (TDS)					Monitor only. calendar month average		milligrams per liter	once per month	24-Hour Flow Composite	Mar, Sep	
SD 001 Total Facility Discharge	Solids, Total Suspended (TSS)	41.2 calendar month average	61.7 maximum calendar week average	kilograms per day		30 calendar month average	45 maximum calendar week average	milligrams per liter	twice per week	24-Hour Flow Composite	Jan-Dec	
SD 001 Total Facility Discharge	Solids, Total Suspended (TSS) Percent Removal				85 minimum calendar month average			percent	twice per week	Calculation	Jan-Dec	

Subject item	Parameter	Discharge limitations				Monitoring requirements						Notes
		Quantity /Loading avg.	Quantity /Loading max.	Quantity /Loading units	Quality /Conc. min.	Quality /Conc. avg.	Quality /Conc. max.	Quality/ Conc. units	Frequency	Sample type	Effective period	
SD 001 Total Facility Discharge	Solids, Total Suspended (TSS), grab (Mercury)						Monitor only. calendar month maximum	milligrams per liter	once per month	Grab	Jul	
WS 001 Influent Waste Stream	BOD, Carbonaceous 05 Day (20 Deg C)					Monitor only. calendar month average	Monitor only. calendar month maximum	milligrams per liter	twice per week	24-Hour Flow Composite	Jan-Dec	
WS 001 Influent Waste Stream	Flow		Monitor only. calendar month total	million gallons		Monitor only. calendar month average	Monitor only. calendar month maximum	million gallons per day	once per day	Measurement, Continuous	Jan-Dec	
WS 001 Influent Waste Stream	Nitrite Plus Nitrate, Total (as N)					Monitor only. calendar quarter average		milligrams per liter	once per quarter	24-Hour Flow Composite	Mar, Jun, Sep, Dec	
WS 001 Influent Waste Stream	Nitrogen, Kjeldahl, Total					Monitor only. calendar quarter average		milligrams per liter	once per quarter	24-Hour Flow Composite	Mar, Jun, Sep, Dec	
WS 001 Influent Waste Stream	Nitrogen, Total (as N)					Monitor only. calendar quarter average		milligrams per liter	once per quarter	24-Hour Flow Composite	Mar, Jun, Sep, Dec	
WS 001 Influent Waste Stream	pH				Monitor only. calendar month minimum		Monitor only. calendar month maximum	standard units	once per day	Grab	Jan-Dec	
WS 001 Influent Waste Stream	Phosphorus, Total (as P)					Monitor only. calendar month average		milligrams per liter	once per week	24-Hour Flow Composite	Jan-Dec	
WS 001 Influent Waste Stream	Precipitation		Monitor only. calendar month total	inches					once per day	Measurement	Jan-Dec	

Subject item	Parameter	Discharge limitations				Monitoring requirements						Notes
		Quantity /Loading avg.	Quantity /Loading max.	Quantity /Loading units	Quality /Conc. min.	Quality /Conc. avg.	Quality /Conc. max.	Quality/ Conc. units	Frequency	Sample type	Effective period	
WS 001 Influent Waste Stream	Solids, Total Suspended (TSS)					Monitor only. calendar month average	Monitor only. calendar month maximum	milligrams per liter	twice per week	24-Hour Flow Composite	Jan-Dec	

DRAFT